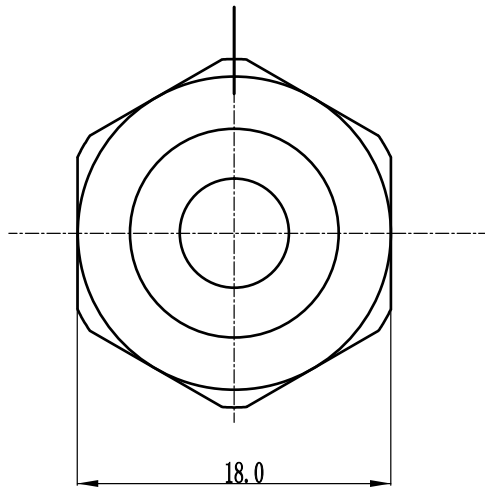
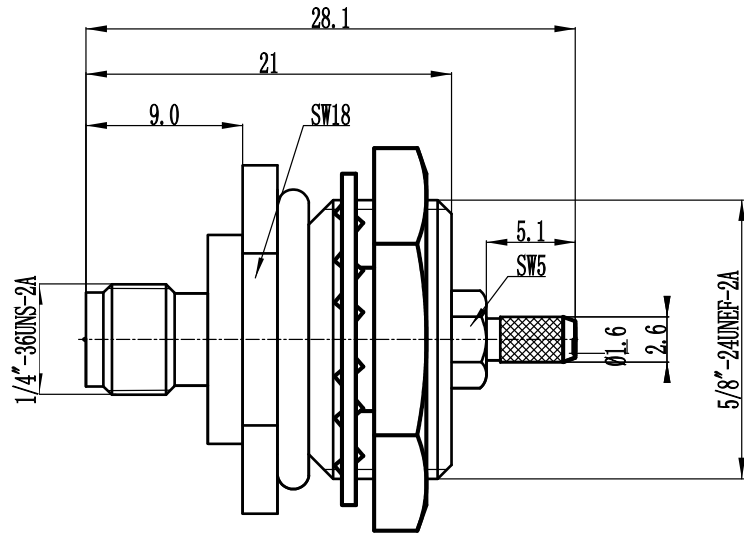


This document contains proprietary information and such information may not be disclosed to others for any purposes, not used for sales/marketing/procurement purposes without written permission



1 Electrical

- 1.1 Impedance 50 Ω
- 1.2 Frequency 0~6GHz
- 1.2 Dielectric withstanding voltage 1000V(volts RMS)
- 1.3 Center contact resistance $\leq 3m\Omega$
- 1.4 Outer contact resistance $\leq 2m\Omega$
- 1.5 Insulation resistance: $\geq 5000M\Omega$

2 Environmental&Mechanical

- 2.1 Temperature range -45 $^{\circ}$ C~85 $^{\circ}$ C
- 2.2 RoHS Compliant
- 2.3 Durability >500 cycles


3 Materials&plating

- 3.1 Body: Brass; Nickel, plated
- 3.2 Insulator: Teflon
- 3.3 Contact Pin: Brass; Gold,plated

Notes:

- 1. ALL SPECIFICATIONS ARE SUBJECT TO CHANGE NOTICE AT ANY TIME
- 2. CUSTOMER OUTLINE DRAWING FOR REFERENCE ONLY

TOLERANCES UNLESS OTHERWISE SPECIFIED	
X	± 0.50
.X	± 0.20
.XX	± 0.10
ANGLES	$\pm 1^{\circ}$

TITLE: RF Coaxial Connector		www.radiomera.ru			
R/P SMA Female B/H Conn.for RG316 Cable		 DIMENSION IN MILLIMETERS (mm)			
PART NO: RM-RPSMA-JY3CA	SIZE: A4	SCALE: N/A	SHEET: 1/1	REV: A	