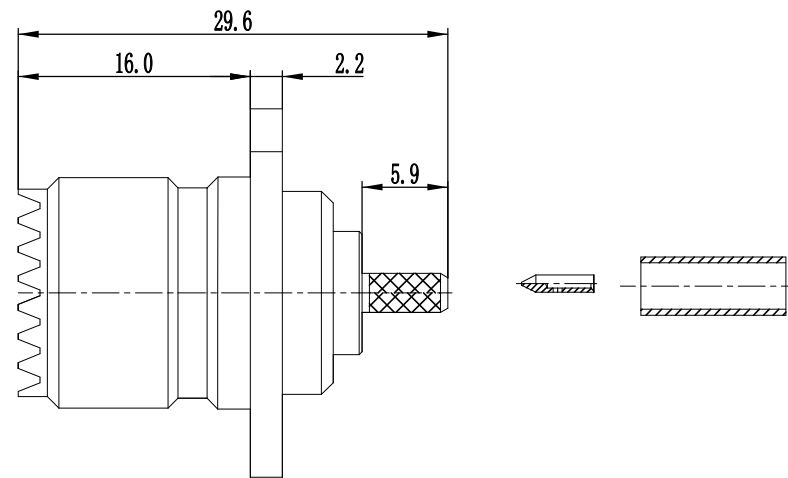
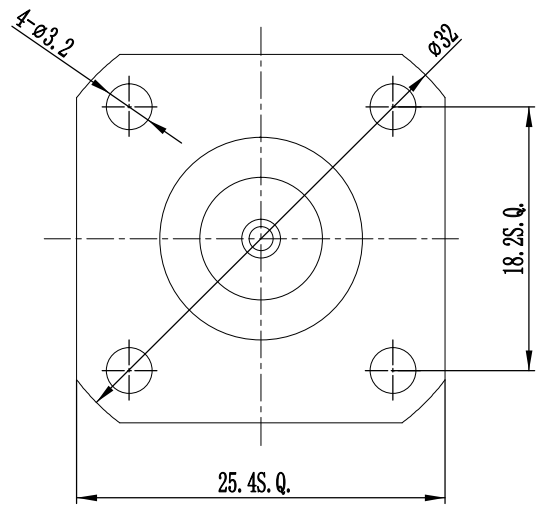


This document contains proprietary information and such information may not be disclosed to others for any purposes, not used for sales/marketing/procurement purposes without written permission



1 Electrical

- 1.1 Frequency: DC-300MHz
- 1.2 Impedance: 50 Ω
- 1.3 Working voltage: ≤750V
- 1.4 Insulation resistance: ≥5000M Ω
- 1.5 Dielectric withstanding voltage: 2000V
- 1.6 Center contact resistance ≤ 5mΩ
- 1.7 Outer contact resistance ≤ 5mΩ

2 Material&Finish

- 2.1 Inner Contact: Phosphor bronze, gold plated
- 2.2 Outer Contact: Brass, nickel plated
- 2.3 Insulators: Teflon

3 Cable code: RG174/U

Notes:

- 1. ALL SPECIFICATIONS ARE SUBJECT TO CHANGE NOTICE AT ANY TIME
- 2. CUSTOMER OUTLINE DRAWING FOR REFERENCE ONLY

TOLERANCES UNLESS OTHERWISE SPECIFIED	
X	±0.50
.X	±0.20
.XX	±0.10
ANGLES	±1°

TITLE: RF Coaxial Connector		www.radiomera.ru	
UHF Female Flange Conn. For RG316 Cable Crimp		DIMENSION IN MILLIMETERS (mm)	
PART NO: RM-UHF-KF3Y	SIZE: A4	SCALE: N/A	SHEET: 1/1
			REV: A