

This document contains proprietary information and such information may not be disclosed to others for any purposes, not used for sales/marketing/procurement purposes without written permission

1 Electrical

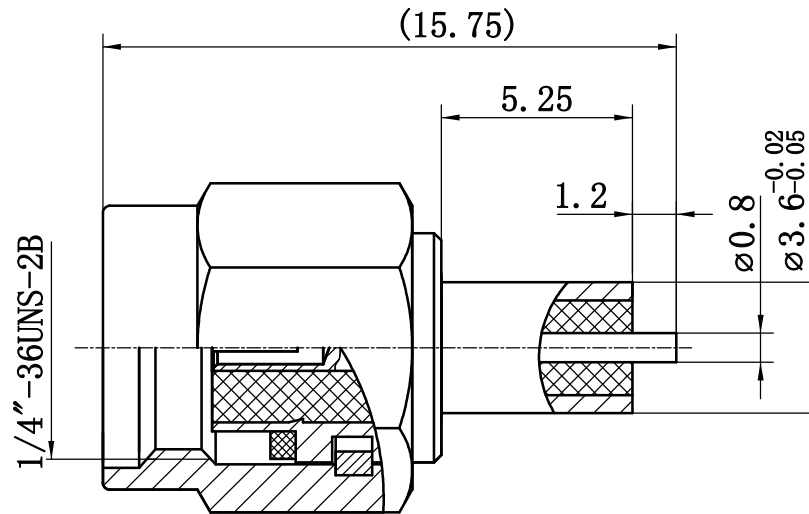
- 1.1 Impedence 50 Ω
- 1.2 Frequency DC~6GHz
- 1.3 VSWR 1.20:1

2 Environmental&Mechanical

- 2.1 Temperature range -45°C~+125°C
- 2.2 RoHs Compliant
- 2.3 Durability >500 cycles

3 Materials&plating

- 3.1 Body: Brass, Gold plated
- 3.2 Insulator: Teflon
- 3.3 Contact Pin: Beryllium-copper, Gold plated
- 3.4 Nut: Brass, Gold Plated
- 3.5 Gasket: Silicon Rubber (red color)



Notes:

- 1. ALL SPECIFICATIONS ARE SUBJECT TO CHANGE NOTICE AT ANY TIME
- 2. CUSTOMER OUTLINE DRAWING FOR REFERENCE ONLY

TOLERANCES UNLESS OTHERWISE SPECIFIED	
X	±0.50
.X	±0.20
.XX	±0.10
ANGLES	±1°

TITLE: RF Coaxial Connector		www.radiomera.ru	
RPSMA Male Str. Conn. Terminal		DIMENSION IN MILLIMETERS (mm)	
PART NO: RM-RPSMA-KD2-A	SIZE: A4	SCALE: N/A	SHEET: 1/1
			REV: A